



Z886-HDS

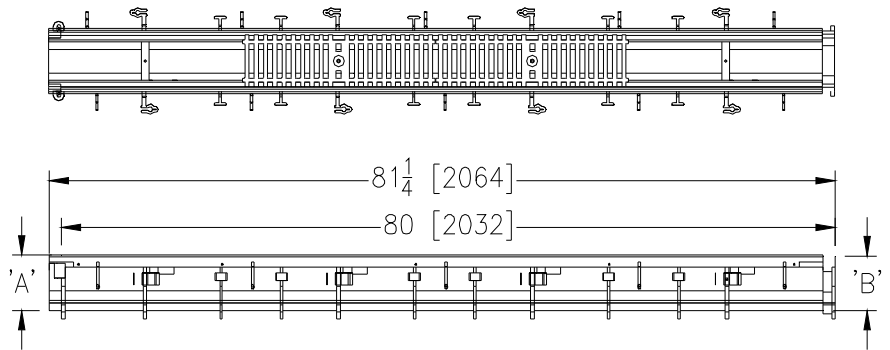
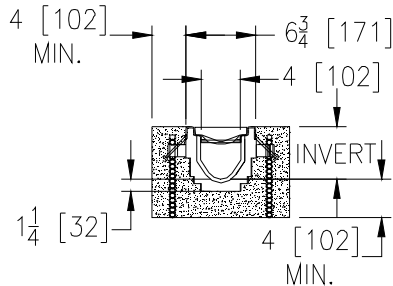
SPECIFICATION SHEET

6-3/4 [171] WIDE REVEAL TRENCH DRAIN SYSTEM W/ STAINLESS STEEL EXTRA HEAVY-DUTY FRAME ASSEMBLY

TAG _____

Dimensional Data (inches and [mm]) are Subject to Manufacturing Tolerances and Change Without Notice

SPECIFYING ENGINEER IS RESPONSIBLE FOR
CONCRETE ENCASEMENT AND REINFORCING
BASED UPON APPLICATION AND LOCAL CODES



NOTE: + Actual Channel length is 81 1/4 [2064] to allow for overlap.

ENGINEERING SPECIFICATION: Zurn Z886-HDS

Channels are 80 [2032] long, 6-3/4 [171] wide reveal and have a 4 [102] throat. Modular channel sections are made of 0% water absorbent High Density Polyethylene (HDPE). Channels have a positive mechanical connection between channel sections that will not separate during the installation and mechanically lock into the concrete surround every 10 [254]. Channels weigh less than 2.31 lbs. [1.05kg] per linear foot, have a smooth, 1-1/2 [38] radiused self cleaning bottom with a Manning's coefficient of .009 and .75% or neutral 0% built in slope. Channels have rebar clips standard to secure trench in its final location. Channels provided with standard SBG grates that lock down to frame. Zurn 5-3/8 [137] wide reveal Stainless Steel cast Bar Grate conforming to ASTM specification A351, Grade CF8 (type 304), cast grate is rated class E per the DIN EN1433 top load classification. Supplied in 20 [508] nominal lengths with 1/2 [13] wide slots, and 3/4 [19] bearing depth. Grate has an open area of 27.7 sq. in per ft. [58,617 sq. mm per meter]. The .105 [2.66] thick Heavy-Duty Stainless Steel Frame Assembly conforms to ASTM specification A-240 (type 304), with 10 - 4 [102] long concrete anchors per 80 [2032]. Grate lockdown bars are to be integral to the frame. All welds must be performed by a certified welder per ASTM standard AWS D1.6. Frames produced in the U.S.A.

PREFIX OPTIONS (Check/specify appropriate options)

___ Z Six-foot, Eight-inch High Density Polyethylene (HDPE)*

SUFFIX OPTIONS (Check/specify appropriate options)

Outlet Adapters Add/Each

___ -E1 Closed End Cap	___ -U2 2 [51] No-Hub Bottom Outlet
___ -E2 2 [51] No-Hub End Outlet	___ -U3 3 [76] No-Hub Bottom Outlet
___ -E3 3 [76] No-Hub End Outlet	___ -U4 4 [102] No-Hub Bottom Outlet
___ -E4 4 [102] No-Hub End Outlet	___ -U6 6 [152] No-Hub Bottom Outlet
___ -E6 6 [152] No-Hub End Outlet	

Frame Options

___ -LD Light Duty Grates on Heavy Duty Frame
 ___ -SW Sidewall Extension - 9 [229] High
 ___ -SW2 Sidewall Extension - 18 [457] High

Grate Options (Load Classifications are per DIN EN1433)

___ -BDC Black Acid Resistant Epoxy Coated Ductile Grate - Class C
 ___ -BDE Black Acid Resistant Epoxy Coated Ductile Grate - Class E
 ___ -DBG Ductile Iron Cast Bar Grate - Class C
 ___ -DC Ductile Iron Solid Cover - Class C
 ___ -DGC Ductile Iron Slotted Grate - Class C
 ___ -DGE Ductile Iron Slotted Grate - Class E
 ___ -HPD Heel-Proof Ductile Slotted Grate - Class B
 ___ -HPDE Heel-Proof Ductile Slotted Grate - Class E
 ___ -RFSC Reinforced Slotted Stainless Steel Grate - Class C
 ___ -RPSC Reinforced Perforated Stainless Steel Grate - Class C
 ___ -RPSRC Reinforced Perforated Stainless Steel Reversed Punch Grate - Class C

Miscellaneous Options

___ -VP Vandal-Proof Lockdown
 ___ -JC Joint Connector

Decorative Grate Options (Load Classifications are per DIN EN1433)

___ -SBG Stainless Steel Bar Grate - Class E *

MADE in the U.S.A. (Load Classifications are per DIN EN1433)

___ -BDE-USA Black Acid Resistant Epoxy Coated Ductile Grate - Class E
 ___ -DCE-USA Ductile Iron Solid Cover - Class E
 ___ -DGC-USA Ductile Iron Slotted Grate - Class C
 ___ -DGE-USA Ductile Iron Slotted Grate - Class E
 ___ -HPDE-USA Heel-Proof Ductile Slotted Grate - Class E
 ___ -PPC Plastic Perforated Grate - Class C

Miscellaneous Options

___ -DB Bottom Dome Strainer

Trench No.	'A' Shallow Inv.	'B' Deep Inv.	Flow		
			(cfs)	(gpm)	(lps)
8601	3.50 [89]	4.10 [104]	0.21	93	6
8602	4.10 [104]	4.70 [119]	0.27	122	8
8603	4.70 [119]	5.30 [135]	0.34	152	10
8603N	5.30 [135]	5.30 [135]	-	-	-
8604	5.30 [235]	5.90 [150]	0.41	183	12
8605	5.90 [150]	6.50 [165]	0.48	214	13
8606	6.50 [165]	7.10 [180]	0.55	245	15
8606N	7.10 [180]	7.10 [180]	-	-	-
8607	7.10 [180]	7.70 [196]	0.62	276	17
8608	7.70 [196]	8.30 [211]	0.69	308	19
8609	8.30 [211]	8.90 [226]	0.76	339	21
8610	8.90 [226]	9.50 [241]	0.83	371	23
8611	9.50 [241]	10.10 [257]	0.90	403	25
8612	10.10 [257]	10.70 [272]	0.97	435	27
8612N	10.70 [272]	10.70 [272]	-	-	-
8613	10.70 [272]	11.30 [287]	1.04	467	29
8614	11.30 [287]	11.90 [302]	1.11	498	31
8615	11.90 [302]	12.50 [318]	1.18	530	33

Supplied By:



877-903-7246

www.trenchdrainsupply.com

*REGULARLY FURNISHED UNLESS OTHERWISE SPECIFIED

REV. D DATE: 09/27/13 C.N. NO. 129986

PROD./DWG. NO. Z886-HDS

ZURN INDUSTRIES, LLC ♦ SPECIFICATION DRAINAGE OPERATION ♦ 1801 Pittsburgh Ave. ♦ Erie, PA 16514

Phone: 814/455-0921 ♦ Fax: 814/454-7929 ♦ World Wide Web: www.zurn.com

In Canada: ZURN INDUSTRIES LIMITED ♦ 3544 Nashua Drive ♦ Mississauga, Ontario L4V1L2 ♦ Phone: 905/405-8272 Fax: 905/405-1292